



Wall-Mount Swinging Stools

Manufactured by Bob Barker Company, Inc.

Revised 09/01/03

The BarkerBuilt® Advantage

Practical design, heavy-duty construction and premium powder coat finishing. BarkerBuilt's triple-feature profile provides exactly what you're looking for - a full line of quality metal furnishings that will give years of high-performance, low maintenance service in abuse-prone correctional and detention settings.

Materials

All materials are new and free from imperfections that may adversely affect appearance or durability. All sheet steel is cold-rolled, pickled and oiled furniture grade. All stainless steel is 304 grade.

Construction

12" diameter 16-gauge stainless steel seat has four 3/8" studs welded to the bottom. Fasteners are provided for field attachment. 3" square arm is 11-gauge steel, pivot assembly features a nonremovable hinge pin and the mounting bracket is 1/4" plate with four 5/8" mounting holes. Seat assembly pivots 75° in either direction. Minimum extension is 12" from the wall. Maximum extension is 26-1/4" from the wall.

Welding

Exposed welds are ground smooth in non-critical areas. Unexposed welds do not require finish grinding, but have good uniform appearance. All welds are thoroughly fused and sound.

Finish

Gray full finish powder coat, on all parts except stainless steel, for excellent resistance to corrosion, heat, impact, abrasion and fading. Automatic three stage cleaning and pretreatment with in-line oven drying and electrostatic application of powder provides a fully finished 3 MIL. (avg.) coating weight of 60-70 gloss or textured surfaces. No need for additional painting after installation.

Standard Options

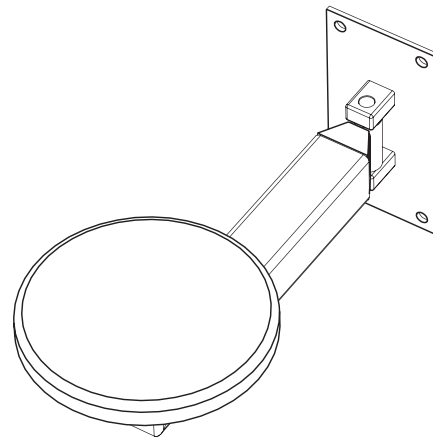
Embeds, Security Bolt and Expansion Wedge Anchor Kits.

Fabrication Options

Custom designs, materials, sizes, colors and finishes.

Warranty

Bob Barker Company, Inc. warrants our detention furnishings to be free of any defects in materials or workmanship for one (1) year from the date of project completion. Our liability is strictly limited to the repair or replacement of units that in our opinion are found defective. This warranty is in lieu of all other warranties, expressed or implied.



**Wall-mounted for easy floor maintenance.
Pivots out of the way when not in use.**



Bob Barker Company, Inc.
1-800-334-9880 ph. • 1-800-322-7537 fax
www.barkerbuilt.com

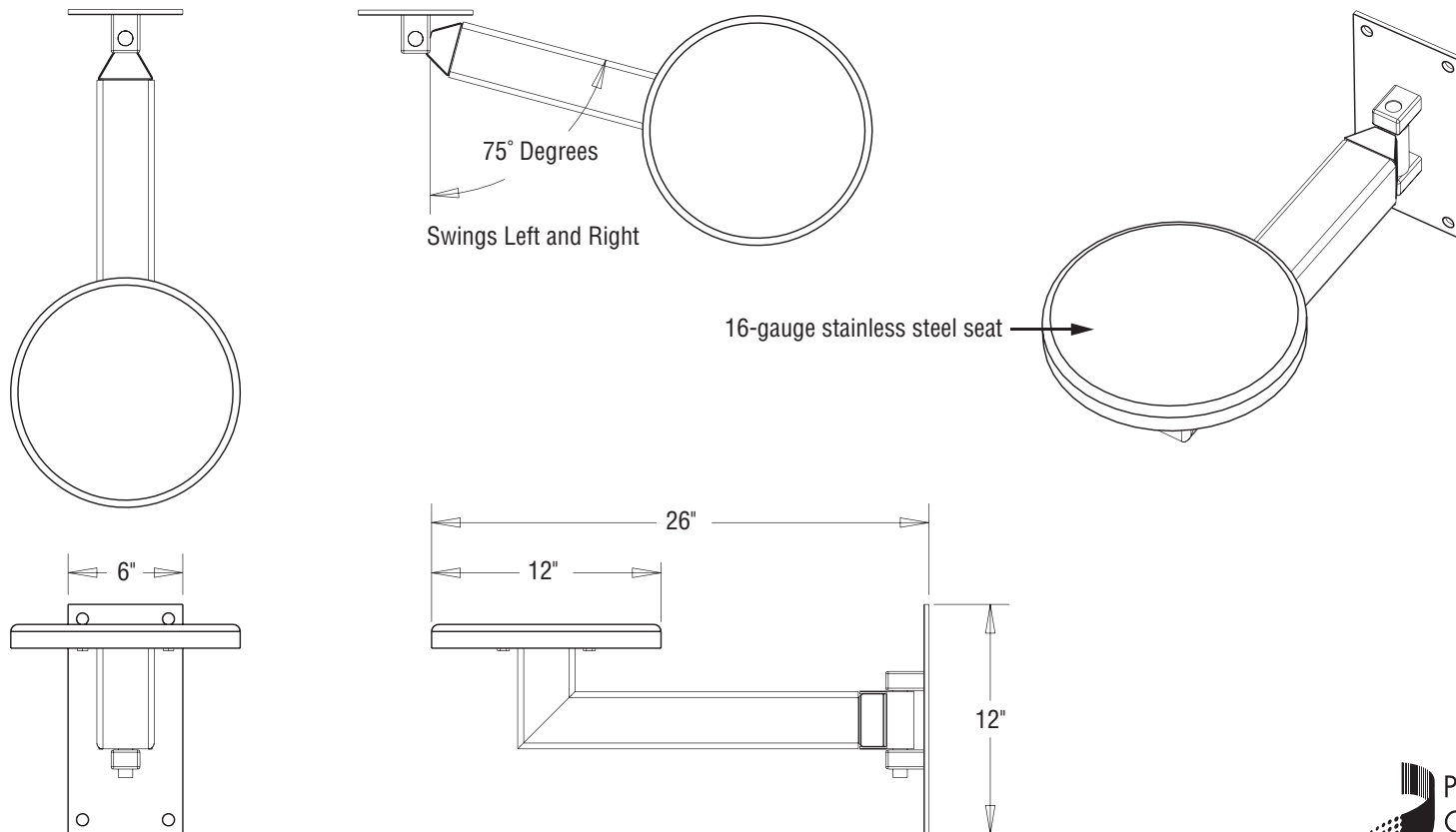


Wall-Mount Swinging Stools

Manufactured by Bob Barker Company, Inc.

Bob Barker Company, Inc. reserves the right to make engineering changes or other modifications at our discretion without notice.

Revised 09/01/03



Swinging stools can be through-bolted to masonry walls or field-welded to steel walls or embeds.

Standard Options

Embeds, Security Bolt and Expansion Wedge Anchor Kits.

Fabrication Options

Custom designs, materials, sizes, colors and finishes.



Item #	Weight
BB518SS	25 LBS.