



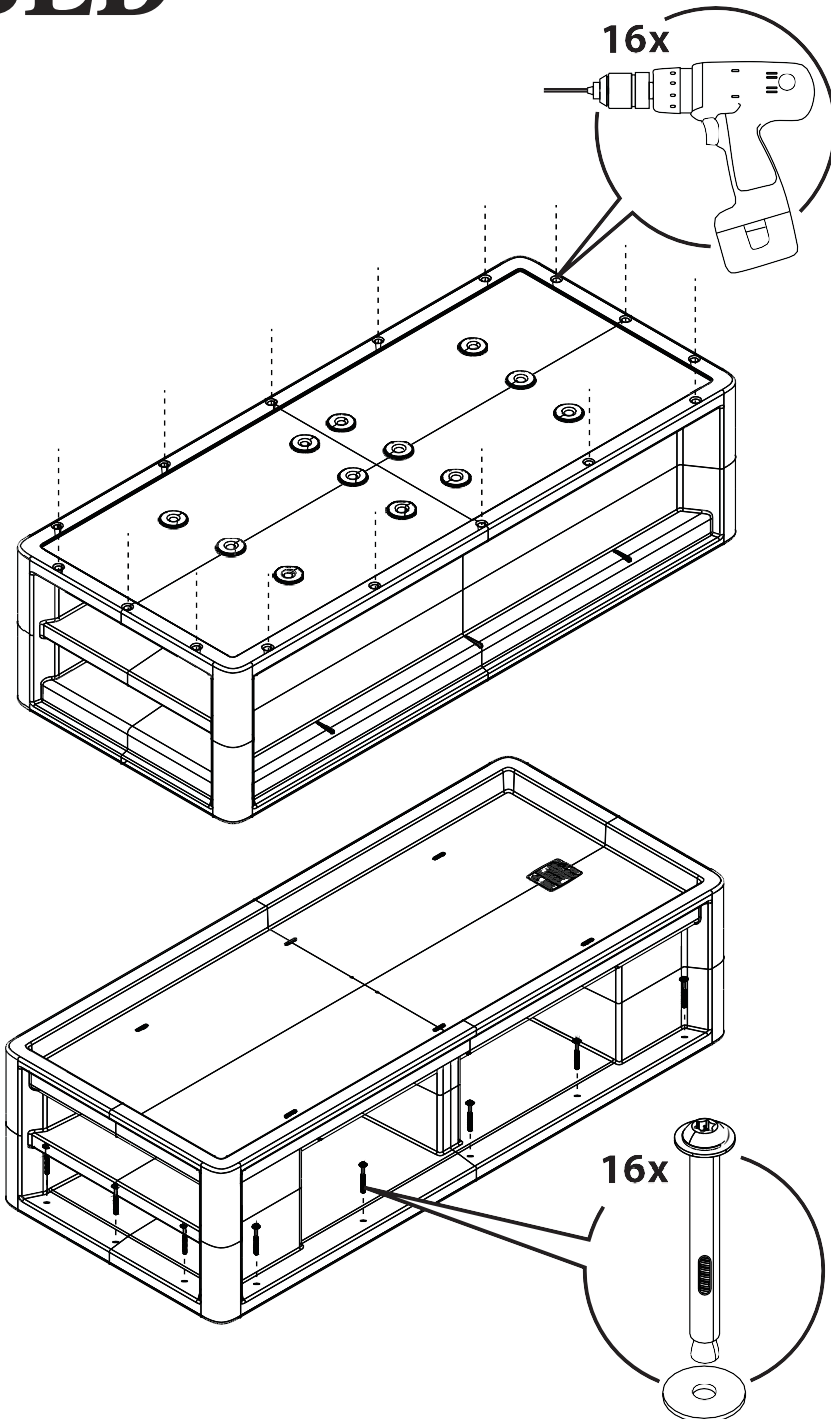
Endurance Bunk

Z7601-[color]

ITEM #	Z7601-[color]
DESCRIPTION	Endurance Bunk
SIZE	81in x 35in x 21in
COLORS	Black [BK], Brown [BN], Gray [G], Green [GN], Slate Blue [SB], Blue Gray [BG], Sand [SD]
SPECIFICATIONS	<ul style="list-style-type: none">• Built-in shelving for personal item storage and increased structural span strength• Can be reverse-mounted, eliminating property box storage• Meets CALTB 133 flammability requirements• Designed for use with 75in x 30in mattress• Stain-resistant• One-piece molded construction• Easy to clean and maintain• Can be bolted to the floor via concealed pilot holes (hardware not included)
PRIMARY COUNTRY OF ORIGIN	USA
WEIGHT	125 lbs
CASE PACK	EA

BED

CO RTECH

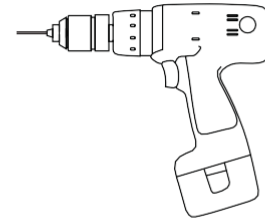


You will need:



1x

Pencil
For Marking Floor



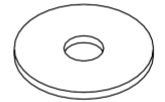
1x

Drill
With 3/8 Bit



16x

3/8-16 x 3.75"
Security Torx Anchor Bolts



16x

Flat Washer

1. Position bed on its back as to access the bottom of the bed.
2. Select and drill all sixteen mounting locations on the bottom of the bed.
3. Place bed right side up and locate where it is to be secured to the floor.
4. Using a pen or pencil, mark mounting hole locations on the floor using the holes drilled in step 2.
5. Move bed and drill holes in the sixteen locations where you marked the floor. Hole depth should be 2.0" deep MINIMUM.
6. Replace the bed lining up the drilled holes with the holes in the floor.
7. Place one flat washer over each of the sixteen anchor bolt and guide the bolts through the bed and into the holes into the floor.
8. Tighten each anchor bolt 3-5 turns past finger tight.